

Autopilot lowlifter truck 2.5 ton

BT levio
AUTOPILOT
LAE250



Autopilot lowlifter truck

Specifications					LAE250
Identification	1.1	Manufacturer			Toyota
	1.2	Model			LAE250
	1.3	Drive			Electric
	1.4	Operator type			Pedestrian
	1.5	Load capacity/rated load	Q	kg	2500
	1.6	Load centre	c	mm	600
	1.8	Load distance, centre of support arm wheel to face of forks	x	mm	776 ²⁾
	1.9	Wheelbase	y	mm	1536 ²⁾
	Weight	2.1	Service weight without battery		kg
2.2		Axle load, with load, drive/castor/fork wheel		kg	674/469/2415
2.3		Axle load, without load, drive/castor/fork wheel		kg	374/391/296
Wheels	3.1	Drive/castor/fork wheel			Vulkollan®//Polyurethane//Vulkollan®
	3.2	Wheel size, front		mm	Ø 230x70
	3.3	Wheel size, rear		mm	Ø 85x75
	3.4	Additional wheels (dimensions)		mm	Ø 125x50
	3.5	Wheels, number front/rear (x = driven wheels)			1x+2/4
	3.6	Track width, front	b ₁₀	mm	585
	3.7	Track width, rear	b ₁₁	mm	367
Dimensions	4.4	Lift	h ₃	mm	120
		Lift height	h ₂₃	mm	207,5
	4.9	Height of tiller in drive position, min./max.	h ₁₄	mm	1150/1485
	4.15	Height, fork lowered	h ₁₃	mm	87,5
		Total height with scanner	h ₂₀	mm	2381/2969
		Laser scanner beamer height	h ₂₁	mm	2364/2952
	4.19	Overall length	l ₁	mm	2325 ²⁾
	4.20	Length to face of forks	l ₂	mm	1125
	4.21	Overall width	b ₁	mm	895
	4.22	Fork dimensions	s/e/l	mm	70/180/1200
	4.25	Width over forks	b ₅	mm	520/550/685
	4.32	Ground clearance, centre of wheelbase	m ₂	mm	17,5
	4.34	Aisle width for pallets 800x1200 lengthways	A _{st}	mm	2683 ²⁾
4.35	Turning radius	W _a	mm	1900 ²⁾	
Performance data	5.1	Travel speed, forward/reverse direction, manual mode		km/h	2,5/4,0
	5.1.1	Travel speed, forward/reverse direction, automatic mode		km/h	8,0/1,1
	5.2	Lift speed, with/without load		m/s	0,05/0,08
	5.3	Lowering speed, with/without load		m/s	0,09/0,09
	5.8	Max. gradeability, with/without load ¹⁾		%	6/10
	5.10	Service brake			Electromagnetic
Electric motor	6.1	Drive motor rating S2 60 min		kW	1.8
	6.2	Lift motor rating at S3 10%		kW	3
	6.4	Battery voltage/nominal capacity K _s		V/Ah	24/500
	6.5	Battery weight		kg	368
	Other	8.1	Type of drive control		
8.4		Sound level at the driver's ear acc to EN12 053		dB(A)	<70

1) Measured according to company standard. 2) Measured with 1200 mm forks and large battery.

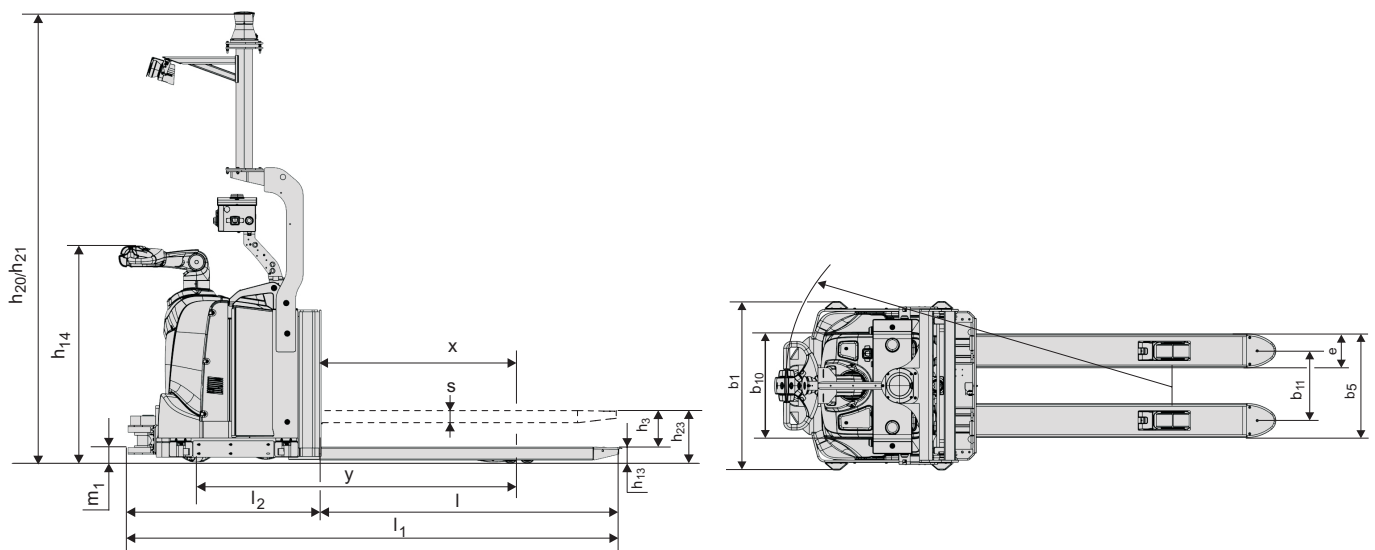
All data are based on table configuration. Other configurations may give other values.

Truck performance and dimensions are nominal and subject to tolerances.

Toyota Material Handling Manufacturing Sweden AB products and specifications are subject to change without notice.

Battery dependent dimensions

Dimensions		LAE250			
		Battery compartment		Small	Large
1.8	Load distance, centre of support arm wheels to face of forks				
	Fork length 1200 mm	x	mm	776	776
	Fork length 1600 mm	x	mm	1051	1051
	Fork length 2400 mm	x	mm	1686	1686
1.9	Wheelbase, with/without mechanical bumper				
	Fork length 1200 mm	y	mm	TBD/1439	TBD/1536
	Fork length 1600 mm	y	mm	TBD/1714	TBD/1811
	Fork length 2400 mm	y	mm	2349/2349	2446/2446
4.19	Overall length, with/without mechanical bumper				
	Fork length 1200 mm	l_1	mm	2438/2228	2535/2325
	Fork length 1600 mm	l_1	mm	2838/2628	2935/2725
	Fork length 2400 mm	l_1	mm	3638/3428	3735/3525
4.20	Length to face of forks	l_2	mm	1028	1125
4.34	Aisle width				
	Fork length 1200 mm, pallets 800x1200 lengthways	A_{st}	mm	2587	2683
	Fork length 1600 mm, pallets 800x1600 lengthways	A_{st}	mm	2958	3055
	Fork length 2400 mm, pallets 800x2400 lengthways	A_{st}	mm	3732	3829
4.35	Turning radius				
	Fork length 1200 mm	W_a	mm	1804	1900
	Fork length 1600 mm	W_a	mm	2079	2176
	Fork length 2400 mm	W_a	mm	2714	2811
6.4	Battery voltage, nominal capacity K_3		V	24	24
6.5	Battery weight, min. - max.		kg	195 - 270	345 - 403



Truck features:

- Automatic
 - loading and unloading
 - horizontal transport
 - horizontal deep stacking
 - orderpicking with Pick by Voice (optional)
- Manual handling
- Laser precision navigation
- Personal safety protection drive direction
- Personal safety protection fork direction (optional)
- Side sensors
- Obstacle detection system (optional)
- Mechanical safety bumper on forks (optional)
- Lithium Ion battery (optional)
- Load detection & fork tip sensors
- BT Powerdrive System
- Information display
- Electronic regenerative braking system
- Sideway battery change

Other features are available on request.



TP-Technical Publications, Sweden — 746906-040, version 6, 2017-03-31

TOYOTA

MATERIAL HANDLING