

Rider seated lowlifter truck 3.0 ton

BT levio

R-series

LRE300

LRE300T



Rider seated lowlifter

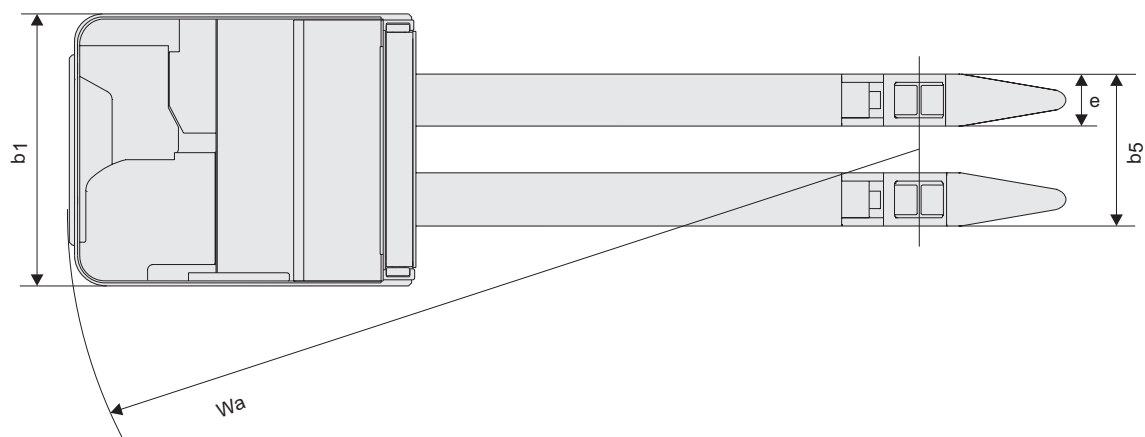
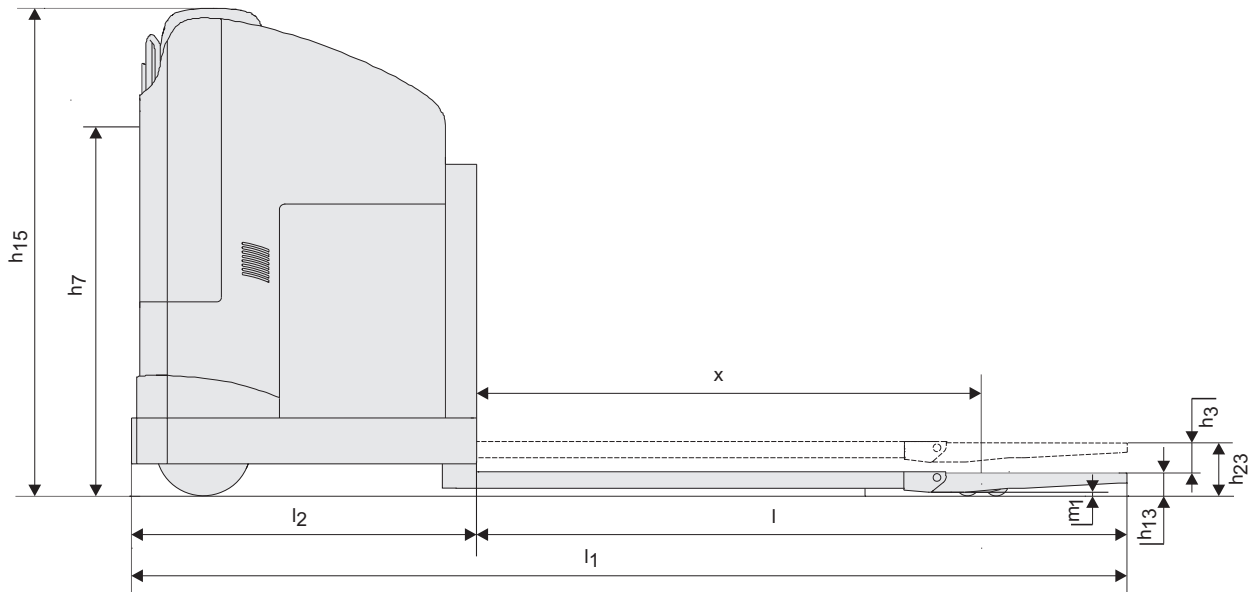
Specifications						LRE300	LRE300T
Identification	1.1	Manufacturer				Toyota	Toyota
	1.2	Model				LRE300	LRE300T
	1.3	Drive				Electric	Electric
	1.4	Operator type				Seated	Seated
	1.5	Load capacity/rated load	Q	kg		3000	3000
	1.6	Load centre	c	mm		600	600
	1.8	Load distance, back of fork to bogie wheel centre	x	mm		1852/2352/2682	1852/2352/2682
Weight	2.1	Service weight without battery		kg		1720	1900
	2.2	Axle load, with load, drive/castor/fork wheel		kg		3300/2720	3490/3030
	2.3	Axle load, without load, drive/castor/fork wheel		kg		2430/590	2830/680
Wheels	3.1	Drive/castor/fork wheel				Polyurethane	Polyurethane
	3.2	Wheel size, front		mm		Ø 90	Ø 90
	3.3	Wheel size, rear		mm		Ø 350	Ø 350
Dimensions	4.2	Height	h_{15}	mm		1800	2115
	4.4	Lift	h_3	mm		110	110
		Lift height	h_{23}	mm		200	200
	4.8	Height of drivers seat	h_7	mm		1270	1585
	4.15	Height, fork lowered	h_{13}	mm		90	90
	4.19	Overall length	l_1	mm		3670	3670
	4.20	Length to face of forks	l_2	mm		1280	1280
	4.21	Overall width	b_1	mm		1000	1000
	4.22	Fork dimensions	e/l	mm		195/2390 ¹⁾	195/2390 ¹⁾
	4.25	Width over forks	b_5	mm		550/560/680	550/560/680
	4.32	Ground clearance, centre of wheelbase	m_1	mm		30	30
Perf.	5.1	Travel speed, with/without load		km/h		13,3/15,1	18,0/19,9
	5.10	Service brake				Electric	Electric
Electric motor	6.1	Drive motor rating S2 60 min		kW		9,0	7,5 x 2
	6.2	Lift motor rating at S3 4%		kW		2,0	2,0
	6.4	Battery voltage/nominal capacity K_5		V/Ah		48/840	48/840
	6.5	Battery weight		kg		1330	1600
Others	8.1	Type of drive control				Stepless	Stepless
	8.6	Steering				360° electrical	360° electrical

1) Other alternatives are available

All data are based on table configuration. Other configurations may give other values.

Truck performance and dimensions are nominal and subject to tolerances.

Toyota Material Handling Manufacturing Sweden AB products and specifications are subject to change without notice.



Truck features:

- High performance models
- Twin drive wheels
- Electronic steering
- 360° progressive steering
- Automatic deceleration
- BT Access control
- Driver detection system
- Adjustable seat
- Adjustable steering wheel
- Easy access for maintenance

