

Reach truck 1.2 - 1.6 ton

BT reflex

B-series

RRE120B

RRE140B

RRE160B



Reach truck

| Truck specifications | | | | | RRE120B | RRE140B | RRE160B |
|----------------------|-----------------------------------------------|-----------------------------------------------------------------|----------------------------------|-------|--------------|--------------|--------------|
| Identification | 1.1 | Manufacturer | | | Toyota | Toyota | Toyota |
| | 1.2 | Model | | | RRE120B | RRE140B | RRE160B |
| | 1.3 | Drive | | | Electric | Electric | Electric |
| | 1.4 | Operator type | | | Seated | Seated | Seated |
| | 1.5 | Load capacity/rated load | Q | kg | 1200 | 1400 | 1600 |
| | 1.6 | Load centre | c | mm | 600 | 600 | 600 |
| | 1.8 | Load distance, centre of support arm wheel to face of forks | x | mm | 415 | 415 | 343 |
| | 1.9 | Wheelbase | y | mm | 1440 | 1440 | 1440 |
| | Weight | 2.1 | Service weight including battery | | kg | 2446 | 2753 |
| 2.3 | | Axle load, mast retracted without load, drive/support arm wheel | | kg | 1531/915 | 1700/1053 | 1804/1147 |
| 2.4 | | Axle load, mast extended with load, drive/support arm wheel | | Kg | 444/3205 | 502/3657 | 492/4068 |
| 2.5 | | Axle load, mast retracted with load, drive/support arm wheel | | Kg | 1388/2261 | 1440/2718 | 1489/3070 |
| Wheels | | 3.1 | Drive/support arm wheel | | | Polyurethane | Polyurethane |
| | 3.2 | Wheel size, front | | mm | Ø 330 | Ø 330 | Ø 330 |
| | 3.3 | Wheel size, rear | | mm | Ø 280 | Ø 280 | Ø 280 |
| | 3.5 | Wheels, number front/rear (x=driven wheels) | | | 1x/2 | 1x/2 | 1x/2 |
| | 3.7 | Track width, rear | b ₁₁ | mm | 1134 | 1134 | 1134 |
| Dimensions | 4.1 | Tilt of fork, forward/backward | α/β | deg | 4°/-2° | 4°/-2° | 4°/-2° |
| | 4.2 | Height, mast lowered | h ₁ | mm | 2182 | 2182 | 2182 |
| | 4.3 | Free lift | h ₂ | mm | 1550 | 1550 | 1550 |
| | 4.4 | Lift | h ₃ | mm | 4760 | 4760 | 4760 |
| | | Lift height | h ₂₃ | mm | 4800 | 4800 | 4800 |
| | 4.5 | Height, mast extended | h ₄ | mm | 5432 | 5432 | 5432 |
| | 4.7 | Height of overhead guard (cab) | h ₆ | mm | 2153 | 2153 | 2153 |
| | 4.8 | Seat height | h ₇ | mm | 1075 | 1075 | 1075 |
| | 4.10 | Height of support arms | h ₃ | mm | 245 | 245 | 245 |
| | 4.15 | Height of lowered forks | h ₁₃ | mm | 55 | 55 | 55 |
| | 4.19 | Overall length | l ₁ | mm | 2364 | 2364 | 2436 |
| | 4.20 | Length to face of forks | l ₂ | mm | 1214 | 1214 | 1286 |
| | 4.21 | Overall width | b ₁ | mm | 1270 | 1270 | 1270 |
| | 4.22 | Fork dimensions | s/e/l | mm | 40/100/1150* | 40/100/1150* | 40/100/1150* |
| | 4.23 | Fork carriage ISO 2328, class/type A, B | | | II A | II A | II A |
| | 4.24 | Fork-carriage width | b ₃ | mm | 850 | 850 | 850 |
| | 4.25 | Width over forks | b ₅ | mm | 250-738 | 250-738 | 250-738 |
| | 4.26 | Distance between support arms | b ₄ | mm | 900 | 900 | 900 |
| | 4.28 | Reach distance | l ₄ | mm | 613 | 613 | 541 |
| | 4.31 | Ground clearance, with load, below mast | m ₁ | mm | 70 | 70 | 70 |
| | 4.32 | Ground clearance, centre of wheelbase ¹⁾ | m ₂ | mm | 70 | 70 | 70 |
| 4.33 | Aisle width for pallets 1000 x 1200 crossways | A _{st} | mm | 2706 | 2706 | 2758 | |
| 4.34 | Aisle width for pallets 800 x 1200 lengthways | A _{st} | Mm | 2749 | 2749 | 2814 | |
| 4.35 | Turning radius | W _a | mm | 1668 | 1668 | 1668 | |
| 4.37 | Length across support arms | l ₇ | mm | 1828 | 1828 | 1828 | |
| Performance data | 5.1 | Travel speed, with/without load | | km/h | 10,0/10,0** | 10,0/10,0** | 10,0/10,0** |
| | 5.2 | Lift speed, with/without load | | m/s | 0,31/0,43 | 0,30/0,43 | 0,28/0,43 |
| | 5.3 | Lowering speed, with/without load | | m/s | 0,49/0,52 | 0,51/0,52 | 0,52/0,52 |
| | 5.4 | Reach speed, with/without load | | m/s | 0,20/0,20 | 0,20/0,20 | 0,20/0,20 |
| | 5.8 | Max. gradeability, with/without load ¹⁾ | | % | 15/18 | 12/20 | 11/18 |
| | 5.10 | Service brake | | | Electric | Electric | Electric |
| Electric motor | 6.1 | Drive motor rating S2 60 min | | kW | 5,0 | 5,0 | 5,0 |
| | 6.2 | Lift motor rating S3 15% | | kW | 10,0 | 10,0 | 10,0 |
| | 6.4 | Battery voltage, nominal capacity K _s | | V/Ah | 48/310* | 48/465* | 48/620* |
| | 6.5 | Battery weight | | kg | 552* | 719* | 903* |
| | 6.6 | Energy consumption acc to VDI cycle | | kWh/h | 2,99 | 3,29 | 3,71 |
| | Other | 8.1 | Type of drive control | | | Variable AC | Variable AC |
| 8.4 | | Sound level at the driver's ear according to EN 12 053 | | dB(A) | 70 | 68 | 68 |

1) Measured according to company standard.

*) Other alternatives are available.

***) Travel speed, with/without load, ANSI-model: 8,0/8,0 km/h.

All data are based on table configuration. Other configurations may give other values.

Truck performance and dimensions are nominal and subject to tolerances.

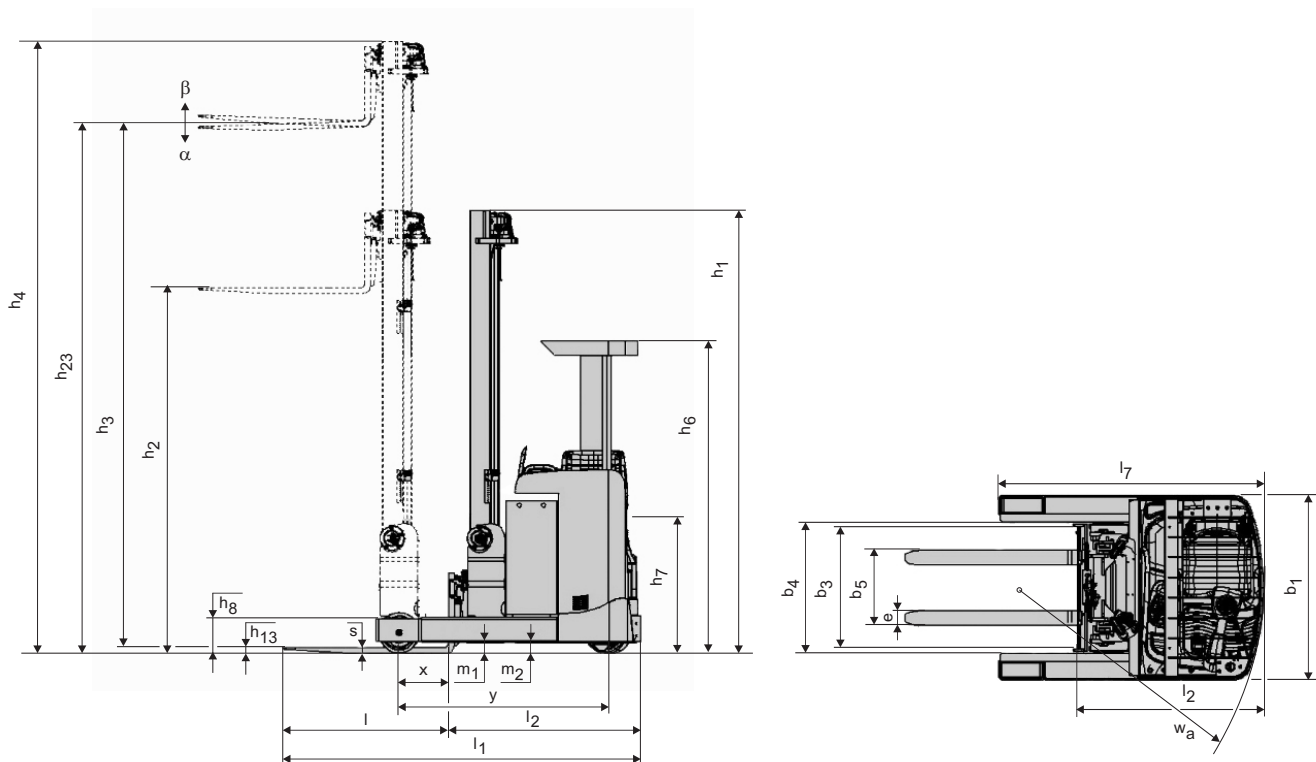
Toyota Material Handling Manufacturing Sweden AB products and specifications are subject to change without notice.

Battery compartment

| Dimensions | | | | RRE120B | | RRE140B | | RRE160B | | |
|------------|-----------------------------------------|-----------------------------------------------------------------------------------------------------------------------------------------|----------|---------|---------|---------|---------|---------|---------|------|
| Reflex | 1.8 | Depth | | mm | 275 | 275 | 275 | 347 | 275 | 347 |
| | | Load distance, centre of support arm wheel to face of forks without side shift with side shift with rollerbed, incl side shift | x | mm | 453 | 453 | 453 | 381 | 453 | 381 |
| | | | x | mm | 415 | 415 | 415 | 343 | 415 | 343 |
| | | | x | mm | 404 | 404 | 404 | 332 | 404 | 332 |
| | 4.20 | Length to face of forks without side shift with side shift with rollerbed, incl side shift | l_2 | mm | 1214 | 1214 | 1214 | 1286 | 1214 | 1286 |
| | | | l_2 | mm | 1252 | 1252 | 1252 | 1324 | 1252 | 1324 |
| | | | l_2 | mm | 1263 | 1263 | 1263 | 1335 | 1263 | 1335 |
| | 4.33 | Aisle width for pallets 1000x1200 crossways without side shift with side shift with rollerbed, incl side shift | A_{st} | mm | 2680 | 2680 | 2680 | 2730 | 2680 | 2730 |
| | | | A_{st} | Mm | 2706 | 2706 | 2706 | 2758 | 2706 | 2758 |
| | | | A_{st} | Mm | 2714 | 2714 | 2714 | 2766 | 2714 | 2766 |
| | 4.34 | Aisle width for pallets 800x1200 lengthways without side shift with side shift with rollerbed, incl side shift | A_{st} | Mm | 2715 | 2715 | 2715 | 2780 | 2715 | 2780 |
| | | | A_{st} | Mm | 2749 | 2749 | 2749 | 2814 | 2749 | 2814 |
| | | | A_{st} | Mm | 2759 | 2759 | 2759 | 2824 | 2759 | 2824 |
| | 4.35 | Turning radius | W_a | mm | 1668 | 1668 | 1668 | 1668 | 1668 | 1668 |
| 6.4 | Battery voltage, nominal capacity K_5 | | V/Ah | 48/310 | 48/465 | 48/465 | 48/620 | 48/465 | 48/620 | |
| 6.5 | Battery weight, min.—max. | | kg | 485-590 | 660-785 | 660-785 | 845-995 | 660-785 | 845-995 | |

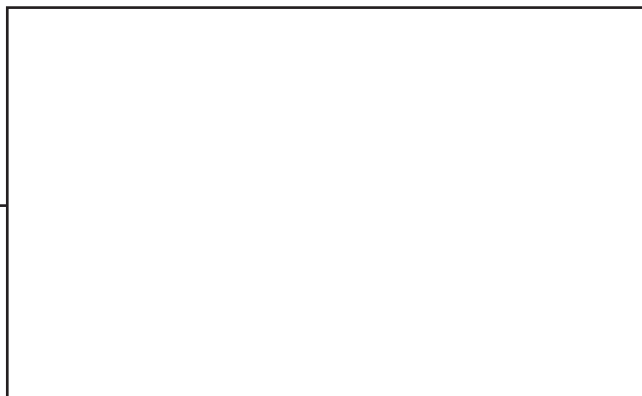
Mast dimensions, mm

| Mast | Duplex Tele mast | | | | | | Triplex Hilo mast | | | | | | | | | | | |
|---------|----------------------|----------|----|------|------|------|-------------------|------|------|------|------|------|------|------|------|------|------|------|
| | | | | | | | | | | | | | | | | | | |
| | Lift height | h_{23} | mm | 3000 | 3500 | 4000 | 4500 | 5000 | 4400 | 4800 | 5400 | 5700 | 6300 | 6750 | 7000 | 7500 | 8000 | 8500 |
| | Lift | h_3 | mm | 2945 | 3445 | 3945 | 4445 | 4945 | 4345 | 4745 | 5345 | 5645 | 6245 | 6695 | 6945 | 7445 | 7945 | 8445 |
| RRE120B | Height, mast lowered | h_1 | mm | 2050 | 2300 | 2550 | 2800 | 3050 | 2049 | 2182 | 2382 | 2482 | 2682 | 2932 | 3015 | — | — | — |
| | Free lift | h_2 | mm | — | — | — | — | — | 1416 | 1550 | 1750 | 1850 | 2050 | 2300 | 2384 | — | — | — |
| | Heigh, mast extended | h_4 | mm | 3550 | 4050 | 4550 | 5050 | 5550 | 5033 | 5432 | 6032 | 6332 | 6932 | 7382 | 7631 | — | — | — |
| RRE140B | Height, mast lowered | h_1 | mm | 2050 | 2300 | 2550 | 2800 | 3050 | 2049 | 2182 | 2382 | 2482 | 2682 | 2932 | 3015 | 3223 | 3390 | 3556 |
| | Free lift | h_2 | mm | — | — | — | — | — | 1416 | 1550 | 1750 | 1850 | 2050 | 2300 | 2384 | 2590 | 2756 | 2924 |
| | Heigh, mast extended | h_4 | mm | 3550 | 4050 | 4550 | 5050 | 5550 | 5033 | 5432 | 6032 | 6332 | 6932 | 7382 | 7631 | 8133 | 8634 | 9132 |
| RRE160B | Height, mast lowered | h_1 | mm | 2050 | 2300 | 2550 | 2800 | 3050 | 2049 | 2182 | 2382 | 2482 | 2682 | 2932 | 3015 | 3223 | 3390 | 3556 |
| | Free lift | h_2 | mm | — | — | — | — | — | 1416 | 1550 | 1750 | 1850 | 2050 | 2300 | 2384 | 2590 | 2756 | 2924 |
| | Heigh, mast extended | h_4 | mm | 3550 | 4050 | 4550 | 5050 | 5550 | 5033 | 5432 | 6032 | 6332 | 6932 | 7382 | 7631 | 8133 | 8634 | 9132 |



Truck features:

- Car pedal layout
- Automatic parking brake
- Single function levers
- Adjustable floor
- Duplex Tele mast — Panoramic View
- Triplex Hilo mast — Clear View



TMHE-Toyota Material Handling Europe — 747504-040, version 9, 2019-11-07

TOYOTA

MATERIAL HANDLING