

# Very narrow aisle truck 1.5 ton

## BT vector

*R-series*  
VRE150



# Very Narrow Aisle truck

Truck specifications					VRE150
Identification	1.1	Manufacturer			Toyota
	1.2	Model			VRE150
	1.3	Drive			Electric
	1.4	Operator type			Seated
	1.5	Load capacity/rated load	Q	kg	1500
	1.6	Load centre	c	mm	600
	1.9	Wheelbase	y	mm	1692/1842/1992
Weight	2.1	Service weight including battery		kg	5029
	2.2	Axle load, with load, drive/support arm wheel		kg	728/5800
	2.3	Axle load, without load, drive/support arm wheel		kg	1437/3592
Wheels	3.1	Drive/support arm wheel			Vulkollan
	3.2	Wheel size, front		mm	Ø 230x85/Ø 230x110
	3.3	Wheel size, rear		mm	Ø 400x160
	3.5	Wheels, number front/rear (x = driven wheels)			4/1x
	3.6	Track width, front	b <sub>10</sub>	mm	1038/1148/1248
	Dimensions	4.2	Height, mast lowered	h <sub>1</sub>	mm
4.3		Free lift	h <sub>2</sub>	mm	2090 *
4.4		Lift	h <sub>3</sub>	mm	6020 *
		Lift height	h <sub>23</sub>	mm	6100 *
4.5		Height, mast extended	h <sub>4</sub>	mm	7095 *
4.7		Height of overhead guard	h <sub>6</sub>	mm	2261
4.8		Seat height	h <sub>7</sub>	mm	1100
4.15		Height of lowered forks	h <sub>13</sub>	mm	80
4.19		Overall length	l <sub>1</sub>	mm	3175/3325/3471
4.20		Length to face of forks	l <sub>2</sub>	mm	2955/3105/3255
4.21		Overall width	b <sub>1</sub>	mm	1270/1420/1520
4.22		Fork dimensions	s/e/l	mm	40/120/1200 *
4.24		Fork-carriage width	b <sub>3</sub>	mm	800 *
4.25		Width over forks	b <sub>5</sub>	mm	489-793 *
4.31		Ground clearance, with load, below mast	m <sub>1</sub>	mm	70
4.32		Ground clearance, centre of wheelbase	m <sub>2</sub>	mm	64
4.34		Aisle width for pallets 800x1200 lengthways	A <sub>st</sub>	mm	1660 *
4.35	Turning radius	W <sub>a</sub>	mm	1954/2104/2254	
4.38	Distance to swivelling fork pivot from centre of front axle	l <sub>8</sub>	mm	821	
Performance data	5.1	Travel speed, with/without load		km/h	10,5/14,0
	5.2	Lift speed, with/without load		m/s	0,40/0,50
	5.3	Lowering speed, with/without load		m/s	0,50/0,48
	5.9	Acceleration time, with/without load (0-10m)		s	5,7/5,2
	5.10	Service brake			Electric
Electric motor	6.1	Drive motor rating S2 60 min		kW	7,5
	6.2	Lift motor rating S3 15%		kW	15,0
	6.4	Battery voltage, nominal capacity K <sub>s</sub>		V/Ah	48/620
	6.5	Battery weight		kg	956
	6.6	Energy consumption acc to VDI cycle <sup>1)</sup>		kWh/h	
	Other	8.1	Type of drive control		
8.4		Sound level at the driver's ear according to EN 12 053		dB(A)	65

1) Contact your supplier for information

\* Other dimensions available

All data are based on table configuration. Other configurations may give other values.

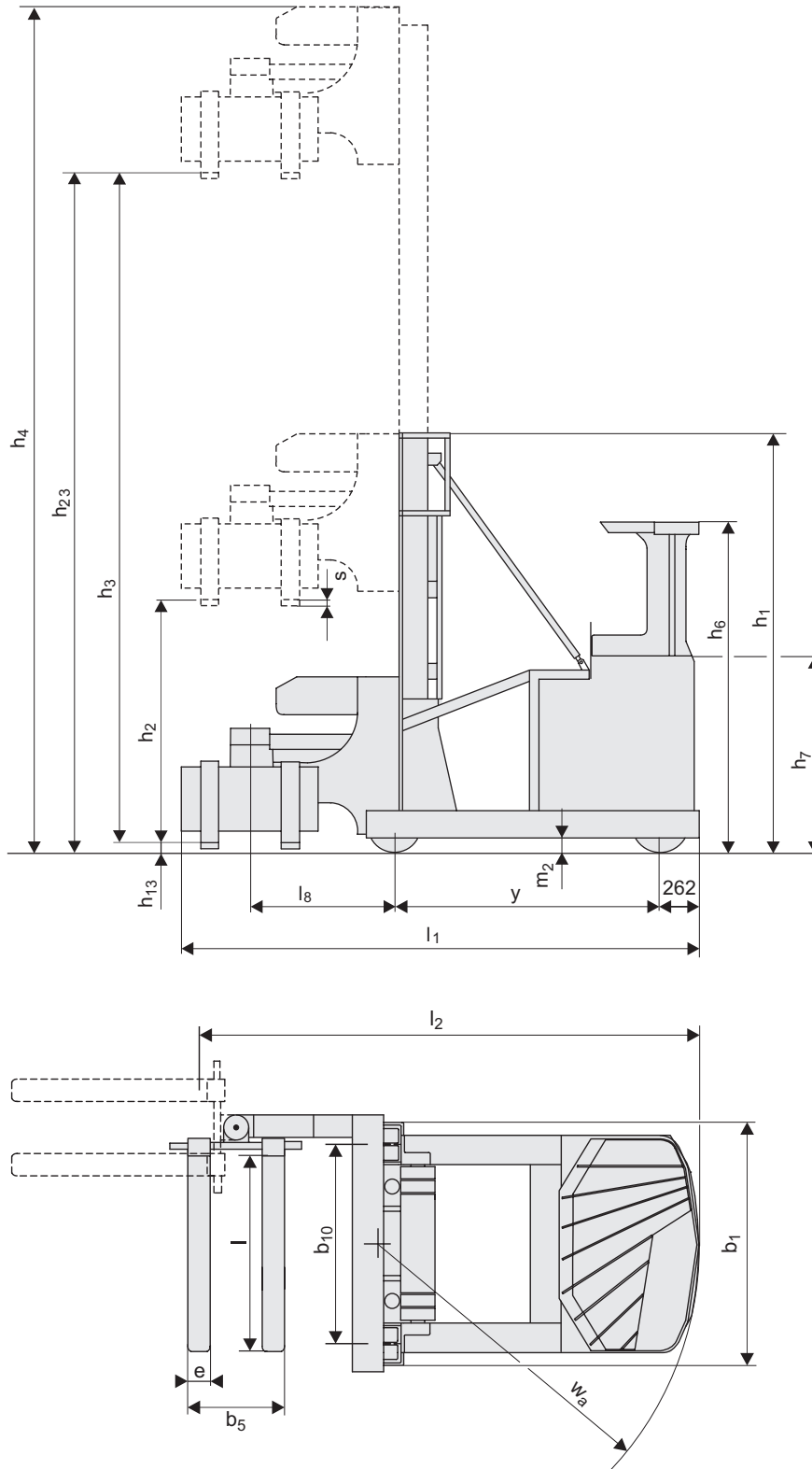
Truck performance and dimensions are nominal and subject to tolerances.

Toyota Material Handling Manufacturing Sweden AB products and specifications are subject to change without notice.

# Mast dimensions

# BT vector

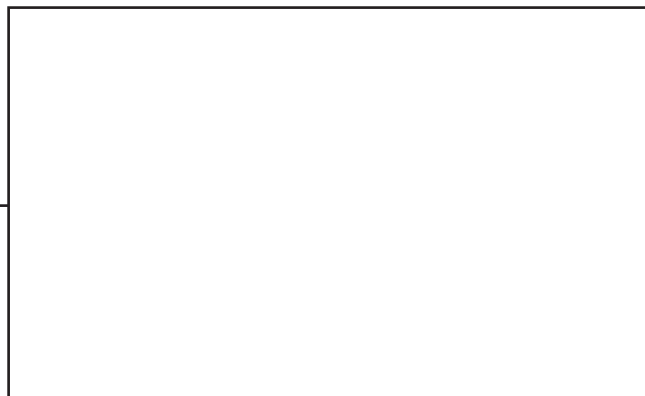
Mast				Triplex Hi-Lo										
VRE150	Lift height	$h_{23}$	mm	4300	4900	5500	6100	7000	7600	8200	8800	9400	10000	11000
	Lift	$h_3$	mm	4220	4820	5420	6020	6920	7520	8120	8720	9320	9920	10920
	Height, mast lowered	$h_1$	mm	2535	2735	2935	3135	3570	3770	3970	4170	4505	4705	5035
	Free lift	$h_2$	mm	1490	1690	1890	2090	2524	2724	2924	3124	3458	3658	3990
	Height, mast extended	$h_4$	mm	5295	5895	6495	7095	7995	8595	9195	9795	10395	10995	11995



---

## Truck features:

- Total view concept
- Car pedal layout
- Automatic parking brake
- TLC, Transitional Lift Control
- 360° steering
- Simultaneous hydraulic control
- Single function levers or multi function control
- Heavy duty drive unit and gear box



TP - Technical Publications, Sweden — 748350-040, version 2, 1105

**TOYOTA**